

Protistor® size 30 aR

600 - 690VAC (IEC) / 700VAC (UL)

SEMICONDUCTOR PROTECTION FUSES

SQUARE BODY HIGH-SPEED FUSE-LINKS AC PROTECTION



The 690/700V Protistor® fuse-links range provide maximum flexibility in equipment design and ultimate protection for today's power conversion equipment. These aR ultra-fast acting square body fuse-links are available in different body sizes, each size having multiple worldwide acceptable mounting styles.

They have been engineered to provide state-of-the-art protection for semiconductors: diodes, thyristors, IGBT and MOSFET devices. They are assembled with die-cut elements embedded in solidified sand, which helps control arcing characteristics for a lower I^2t and high interrupting rating level. All contact surfaces are silver plated and all hardware is non-magnetic.

Each fuse-link can be equipped with a low voltage trip-indicator which can operate a field mountable microswitch.

TECHNICAL DATA OVERVIEW

Voltage Range AC	600 ... 690 VAC
Ampere Range (A)	50 ... 630 A
Speed/Characteristic	aR
I.R. AC (IEC)	170 kA 200 kA
Product Size	30

FEATURES & BENEFITS

- Multiple body sizes and terminals or blades combination
- aR Class according to IEC 60269-4 and VDE 636-23
- Very low I^2t for improved semiconductor protection
- Ultra fast acting
- Current limiting
- Superior cycling capability

APPLICATIONS

- Protection of inverters, motor drives, UPS systems and similar 690V or less equipments.

STANDARDS

- IEC 60269-4 Compliance
- UL/CSA Recognized E76491
- CCC GB 13539.4



MERSEN reserves the right to change, update or correct, without notice, any information contained in this datasheet.



Shah & Shah Enterprise

www.shahent.co.in

Protistor® size 30 aR

600 - 690VAC (IEC) / 700VAC (UL)

PRODUCT RANGE



PC30UD69V100TF

Size 30 type TTF M8 threaded terminals

Catalog number	Item number	Rated voltage AC (IEC)	Rated voltage AC (UL)	Rated current I _n	Pre-arcing I ² t	Clearing I ² t at Rated Voltage	Rated breaking capacity AC	Power dissipation at I _n	Package	Weight
PC30UD69V50TF	S300373	690 V	700 V	50 A	0.116 kA ² s	0.68 kA ² s	170 kA	9 W	3	0.25 kg
PC30UD69V63TF	M300000	690 V	700 V	63 A	0.2 kA ² s	1.2 kA ² s	170 kA	14 W	3	0.25 kg
PC30UD69V80TF	S300051	690 V	700 V	80 A	0.33 kA ² s	1.9 kA ² s	170 kA	19 W	3	0.25 kg
PC30UD69V100TF	T300052	690 V	700 V	100 A	0.47 kA ² s	2.7 kA ² s	170 kA	26 W	3	0.25 kg
PC30UD69V125TF	V300053	690 V	700 V	125 A	0.85 kA ² s	4.9 kA ² s	170 kA	30 W	3	0.27 kg
PC30UD69V160TF	W300054	690 V	700 V	160 A	1.6 kA ² s	9.2 kA ² s	170 kA	37 W	3	0.27 kg
PC30UD69V200TF	X300055	690 V	700 V	200 A	3 kA ² s	16.7 kA ² s	170 kA	42 W	3	0.27 kg
PC30UD69V250TF	Y300056	690 V	700 V	250 A	5.8 kA ² s	32.4 kA ² s	170 kA	48 W	3	0.27 kg
PC30UD69V315TF	Z300057	690 V	700 V	315 A	12 kA ² s	67 kA ² s	170 kA	53 W	3	0.25 kg
PC30UD69V350TF	A300058	690 V	700 V	350 A	15.5 kA ² s	86 kA ² s	170 kA	57 W	3	0.25 kg
PC30UD69V400TF	B300059	690 V	700 V	400 A	23 kA ² s	130 kA ² s	170 kA	60 W	3	0.27 kg
PC30UD69V450TF	V300398	690 V	700 V	450 A	26 kA ² s	165 kA ² s	170 kA	80 W	3	0.27 kg
PC30UD69V500TF	W300399	690 V	700 V	500 A	41 kA ² s	264 kA ² s	170 kA	80 W	3	0.25 kg
PC30UD69V550TF	X300400	690 V	700 V	550 A	52 kA ² s	330 kA ² s	170 kA	80 W	3	0.25 kg
PC30UD60V630TF	L301770	600 V	650 V	630 A	84 kA ² s	450 kA ² s	200 kA	85 W	3	0.25 kg

Size 30 type TTI 5/16"-18 unified coarse threaded terminals

Catalog number	Item number	Rated voltage AC (IEC)	Rated voltage AC (UL)	Rated current I _n	Pre-arcing I ² t	Clearing I ² t at Rated Voltage	Rated breaking capacity AC	Power dissipation at I _n	Package	Weight
A070UD30TTI150	V302744	690 V	700 V	50 A	0.116 kA ² s	0.68 kA ² s	170 kA	9 W	3	0.26 kg
A070UD30TTI163	A301967	690 V	700 V	63 A	0.2 kA ² s	1.2 kA ² s	170 kA	14 W	3	0.26 kg
A070UD30TTI180	V301962	690 V	700 V	80 A	0.33 kA ² s	1.9 kA ² s	170 kA	19 W	3	0.26 kg
A070UD30TTI100	W300744	690 V	700 V	100 A	0.47 kA ² s	2.7 kA ² s	170 kA	26 W	3	0.26 kg
A070UD30TTI125	G300708	690 V	700 V	125 A	0.85 kA ² s	4.9 kA ² s	170 kA	30 W	3	0.26 kg
A070UD30TTI160	N300576	690 V	700 V	160 A	1.6 kA ² s	9.2 kA ² s	170 kA	37 W	3	0.26 kg
A070UD30TTI200	P300577	690 V	700 V	200 A	3 kA ² s	16.7 kA ² s	170 kA	42 W	3	0.26 kg
A070UD30TTI250	Q300578	690 V	700 V	250 A	5.8 kA ² s	32.4 kA ² s	170 kA	48 W	3	0.26 kg
A070UD30TTI315	R300579	690 V	700 V	315 A	12 kA ² s	67 kA ² s	170 kA	53 W	3	0.26 kg
A070UD30TTI350	S300580	690 V	700 V	350 A	15.5 kA ² s	86 kA ² s	170 kA	57 W	3	0.26 kg
A070UD30TTI400	T300581	690 V	700 V	400 A	23 kA ² s	130 kA ² s	170 kA	60 W	3	0.26 kg
A070UD30TTI450	V300582	690 V	700 V	450 A	26 kA ² s	165 kA ² s	170 kA	80 W	3	0.26 kg
A070UD30TTI500	W300583	690 V	700 V	500 A	41 kA ² s	264 kA ² s	170 kA	80 W	3	0.26 kg
A070UD30TTI550	X300584	690 V	700 V	550 A	52 kA ² s	330 kA ² s	170 kA	80 W	3	0.26 kg
A065UD30TTI630	A302703	600 V	650 V	630 A	84 kA ² s	450 kA ² s	200 kA	85 W	3	0.26 kg

MERSEN reserves the right to change, update or correct, without notice, any information contained in this datasheet.

Protistor® size 30 aR

600 - 690VAC (IEC) / 700VAC (UL)

PRODUCT RANGE



PC30UD69V160A

Size 30 type DIN80 blades

Catalog number	Item number	Rated voltage AC (IEC)	Rated voltage AC (UL)	Rated current I _n	Pre-arcing I ² t	Clearing I ² t at Rated Voltage	Rated breaking capacity AC	Power dissipation at I _n	Package	Weight
PC30UD69V50A	F301926	690 V	700 V	50 A	0.116 kA ² s	0.68 kA ² s	170 kA	9 W	3	0.27 kg
PC30UD69V63A	E300108	690 V	700 V	63 A	0.2 kA ² s	1.2 kA ² s	170 kA	14 W	3	0.27 kg
PC30UD69V80A	F300109	690 V	700 V	80 A	0.33 kA ² s	1.9 kA ² s	170 kA	19 W	3	0.27 kg
PC30UD69V100A	G300110	690 V	700 V	100 A	0.47 kA ² s	2.7 kA ² s	170 kA	26 W	3	0.27 kg
PC30UD69V125A	H300111	690 V	700 V	125 A	0.85 kA ² s	4.9 kA ² s	170 kA	30 W	3	0.27 kg
PC30UD69V160A	J300112	690 V	700 V	160 A	1.6 kA ² s	9.2 kA ² s	170 kA	37 W	3	0.27 kg
PC30UD69V200A	K300113	690 V	700 V	200 A	3 kA ² s	16.7 kA ² s	170 kA	43 W	3	0.27 kg
PC30UD69V250A	L300114	690 V	700 V	250 A	5.8 kA ² s	32.4 kA ² s	170 kA	50 W	3	0.27 kg
PC30UD69V315A	M300115	690 V	700 V	315 A	12 kA ² s	67 kA ² s	170 kA	55 W	3	0.27 kg
PC30UD69V350A	N300116	690 V	700 V	350 A	15.5 kA ² s	86 kA ² s	170 kA	60 W	3	0.27 kg
PC30UD69V400A	P300117	690 V	700 V	400 A	23 kA ² s	130 kA ² s	170 kA	65 W	3	0.27 kg
PC30UD69V450A	A300403	690 V	700 V	450 A	26 kA ² s	165 kA ² s	170 kA	88 W	3	0.27 kg
PC30UD69V500A	B300404	690 V	700 V	500 A	41 kA ² s	264 kA ² s	170 kA	88 W	3	0.27 kg
PC30UD69V550A	C300405	690 V	700 V	550 A	52 kA ² s	330 kA ² s	170 kA	90 W	3	0.27 kg



PC30UD69V450D1A

Size 30 type DIN110 blades

Catalog number	Item number	Rated voltage AC (IEC)	Rated voltage AC (UL)	Rated current I _n	Pre-arcing I ² t	Clearing I ² t at Rated Voltage	Rated breaking capacity AC	Power dissipation at I _n	Package	Weight
PC30UD69V50D1A	G301191	690 V	700 V	50 A	0.116 kA ² s	0.68 kA ² s	170 kA	9 W	3	0.30 kg
PC30UD69V63D1A	Q300118	690 V	700 V	63 A	0.2 kA ² s	1.2 kA ² s	170 kA	14 W	3	0.30 kg
PC30UD69V80D1A	R300119	690 V	700 V	80 A	0.33 kA ² s	1.9 kA ² s	170 kA	19 W	3	0.30 kg
PC30UD69V100D1A	S300120	690 V	700 V	100 A	0.47 kA ² s	2.7 kA ² s	170 kA	26 W	3	0.30 kg
PC30UD69V125D1A	T300121	690 V	700 V	125 A	0.85 kA ² s	4.9 kA ² s	170 kA	30 W	3	0.30 kg
PC30UD69V160D1A	V300122	690 V	700 V	160 A	1.6 kA ² s	9.2 kA ² s	170 kA	37 W	3	0.30 kg
PC30UD69V200D1A	W300123	690 V	700 V	200 A	3 kA ² s	16.7 kA ² s	170 kA	43 W	3	0.30 kg
PC30UD69V250D1A	X300124	690 V	700 V	250 A	5.8 kA ² s	32.4 kA ² s	170 kA	50 W	3	0.30 kg
PC30UD69V315D1A	Y300125	690 V	700 V	315 A	12 kA ² s	67 kA ² s	170 kA	55 W	3	0.30 kg
PC30UD69V350D1A	Z300126	690 V	700 V	350 A	15.5 kA ² s	86 kA ² s	170 kA	60 W	3	0.30 kg
PC30UD69V400D1A	A300127	690 V	700 V	400 A	23 kA ² s	130 kA ² s	170 kA	65 W	3	0.30 kg
PC30UD69V450D1A	S300695	690 V	700 V	450 A	26 kA ² s	165 kA ² s	170 kA	88 W	3	0.30 kg
PC30UD69V500D1A	Y301091	690 V	700 V	500 A	41 kA ² s	264 kA ² s	170 kA	88 W	3	0.30 kg
PC30UD69V550D1A	Z301092	690 V	700 V	550 A	52 kA ² s	330 kA ² s	170 kA	90 W	3	0.30 kg

MERSEN reserves the right to change, update or correct, without notice, any information contained in this datasheet.

Protistor® size 30 aR

600 - 690VAC (IEC) / 700VAC (UL)

PRODUCT RANGE

Size 30 type KI short slotted blades

Catalog number	Item number	Rated voltage AC (IEC)	Rated voltage AC (UL)	Rated current I _n	Pre-arcing I ² t	Clearing I ² t at Rated Voltage	Rated breaking capacity AC	Power dissipation at I _n	Package	Weight
A070UD30KI50	E301925	690 V	700 V	50 A	0.116 kA ² s	0.68 kA ² s	170 kA	9 W	3	0.29 kg
A070UD30KI630	B300128	690 V	700 V	63 A	0.2 kA ² s	1.2 kA ² s	170 kA	14 W	3	0.29 kg
A070UD30KI80	C300129	690 V	700 V	80 A	0.33 kA ² s	1.9 kA ² s	170 kA	19 W	3	0.29 kg
A070UD30KI100	D300130	690 V	700 V	100 A	0.47 kA ² s	2.7 kA ² s	170 kA	26 W	3	0.29 kg
A070UD30KI125	E300131	690 V	700 V	125 A	0.85 kA ² s	4.9 kA ² s	170 kA	30 W	3	0.29 kg
A070UD30KI160	F300132	690 V	700 V	160 A	1.6 kA ² s	9.2 kA ² s	170 kA	37 W	3	0.29 kg
A070UD30KI200	G300133	690 V	700 V	200 A	3 kA ² s	16.7 kA ² s	170 kA	43 W	3	0.29 kg
A070UD30KI250	H300134	690 V	700 V	250 A	5.8 kA ² s	32.4 kA ² s	170 kA	50 W	3	0.29 kg
A070UD30KI315	J300135	690 V	700 V	315 A	12 kA ² s	67 kA ² s	170 kA	55 W	3	0.29 kg
A070UD30KI350	K300136	690 V	700 V	350 A	15.5 kA ² s	86 kA ² s	170 kA	60 W	3	0.29 kg
A070UD30KI400	L300137	690 V	700 V	400 A	23 kA ² s	130 kA ² s	170 kA	65 W	3	0.29 kg
A070UD30KI450	T301064	690 V	700 V	450 A	26 kA ² s	165 kA ² s	170 kA	88 W	3	0.29 kg
A070UD30KI500	V301065	690 V	700 V	500 A	41 kA ² s	264 kA ² s	170 kA	88 W	3	0.29 kg
A070UD30KI550	W301066	690 V	700 V	550 A	52 kA ² s	330 kA ² s	170 kA	90 W	3	0.29 kg

Size 30 type LI long slotted blades

Catalog number	Item number	Rated voltage AC (IEC)	Rated voltage AC (UL)	Rated current I _n	Pre-arcing I ² t	Clearing I ² t at Rated Voltage	Rated breaking capacity AC	Power dissipation at I _n	Package	Weight
A070UD30LI50	A301921	690 V	700 V	50 A	0.116 kA ² s	0.68 kA ² s	170 kA	9 W	3	0.32 kg
A070UD30LI63	M300138	690 V	700 V	63 A	0.2 kA ² s	1.2 kA ² s	170 kA	14 W	3	0.32 kg
A070UD30LI80	N300139	690 V	700 V	80 A	0.33 kA ² s	1.9 kA ² s	170 kA	19 W	3	0.32 kg
A070UD30LI100	P300140	690 V	700 V	100 A	0.47 kA ² s	2.7 kA ² s	170 kA	26 W	3	0.32 kg
A070UD30LI125	Q300141	690 V	700 V	125 A	0.85 kA ² s	4.9 kA ² s	170 kA	30 W	3	0.32 kg
A070UD30LI160	R300142	690 V	700 V	160 A	1.6 kA ² s	9.2 kA ² s	170 kA	37 W	3	0.32 kg
A070UD30LI200	S300143	690 V	700 V	200 A	3 kA ² s	16.7 kA ² s	170 kA	43 W	3	0.32 kg
A070UD30LI250	T300144	690 V	700 V	250 A	5.8 kA ² s	32.4 kA ² s	170 kA	50 W	3	0.32 kg
A070UD30LI315	V300145	690 V	700 V	315 A	12 kA ² s	67 kA ² s	170 kA	55 W	3	0.32 kg
A070UD30LI350	W300146	690 V	700 V	350 A	15.5 kA ² s	86 kA ² s	170 kA	60 W	3	0.32 kg
A070UD30LI400	X300147	690 V	700 V	400 A	23 kA ² s	130 kA ² s	170 kA	65 W	3	0.32 kg
A070UD30LI450	K300527	690 V	700 V	450 A	26 kA ² s	165 kA ² s	170 kA	88 W	3	0.32 kg
A070UD30LI500	L300528	690 V	700 V	500 A	41 kA ² s	264 kA ² s	170 kA	88 W	3	0.32 kg
A070UD30LI550	M300529	690 V	700 V	550 A	52 kA ² s	330 kA ² s	170 kA	90 W	3	0.32 kg

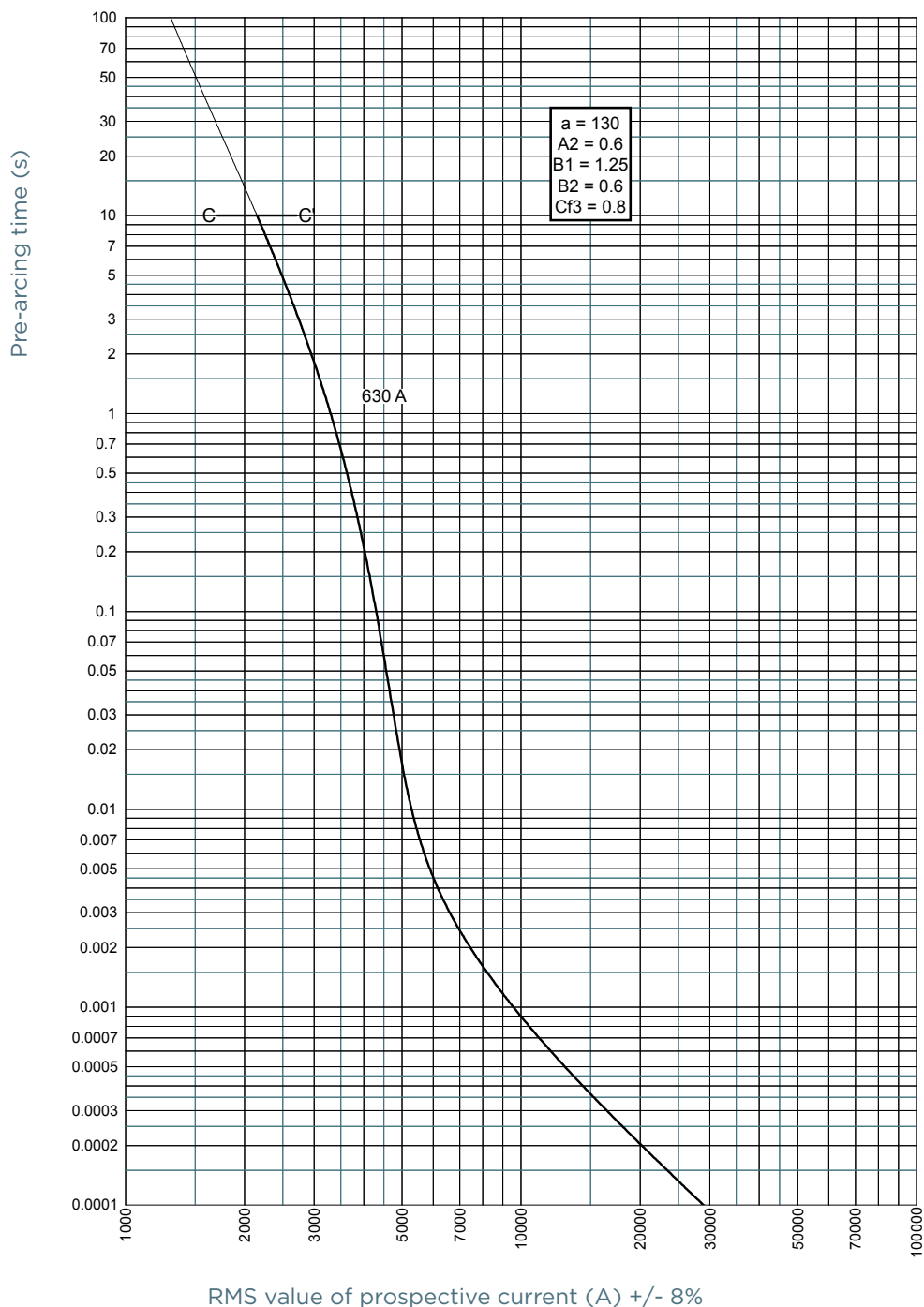
Size 30 type EF blades for bolted connections

Catalog number	Item number	Rated voltage AC (IEC)	Rated voltage AC (UL)	Rated current I _n	Pre-arcing I ² t	Clearing I ² t at Rated Voltage	Rated breaking capacity AC	Power dissipation at I _n	Package	Weight
PC30UD69V50EF	R300372	690 V	700 V	50 A	0.116 kA ² s	0.68 kA ² s	170 kA	9 W	3	0.27 kg
PC30UD69V63EF	H300088	690 V	700 V	63 A	0.2 kA ² s	1.2 kA ² s	170 kA	14 W	3	0.27 kg
PC30UD69V80EF	J300089	690 V	700 V	80 A	0.33 kA ² s	1.9 kA ² s	170 kA	19 W	3	0.27 kg
PC30UD69V100EF	K300090	690 V	700 V	100 A	0.47 kA ² s	2.7 kA ² s	170 kA	26 W	3	0.27 kg
PC30UD69V125EF	L300091	690 V	700 V	125 A	0.85 kA ² s	4.9 kA ² s	170 kA	30 W	3	0.27 kg
PC30UD69V160EF	M300092	690 V	700 V	160 A	1.6 kA ² s	9.2 kA ² s	170 kA	37 W	3	0.27 kg
PC30UD69V200EF	N300093	690 V	700 V	200 A	3 kA ² s	16.7 kA ² s	170 kA	43 W	3	0.27 kg
PC30UD69V250EF	P300094	690 V	700 V	250 A	5.8 kA ² s	32.4 kA ² s	170 kA	50 W	3	0.27 kg
PC30UD69V315EF	Q300095	690 V	700 V	315 A	12 kA ² s	67 kA ² s	170 kA	55 W	3	0.27 kg
PC30UD69V350EF	R300096	690 V	700 V	350 A	15.5 kA ² s	86 kA ² s	170 kA	60 W	3	0.27 kg
PC30UD69V400EF	S300097	690 V	700 V	400 A	23 kA ² s	130 kA ² s	170 kA	65 W	3	0.27 kg

MERSEN reserves the right to change, update or correct, without notice, any information contained in this datasheet.

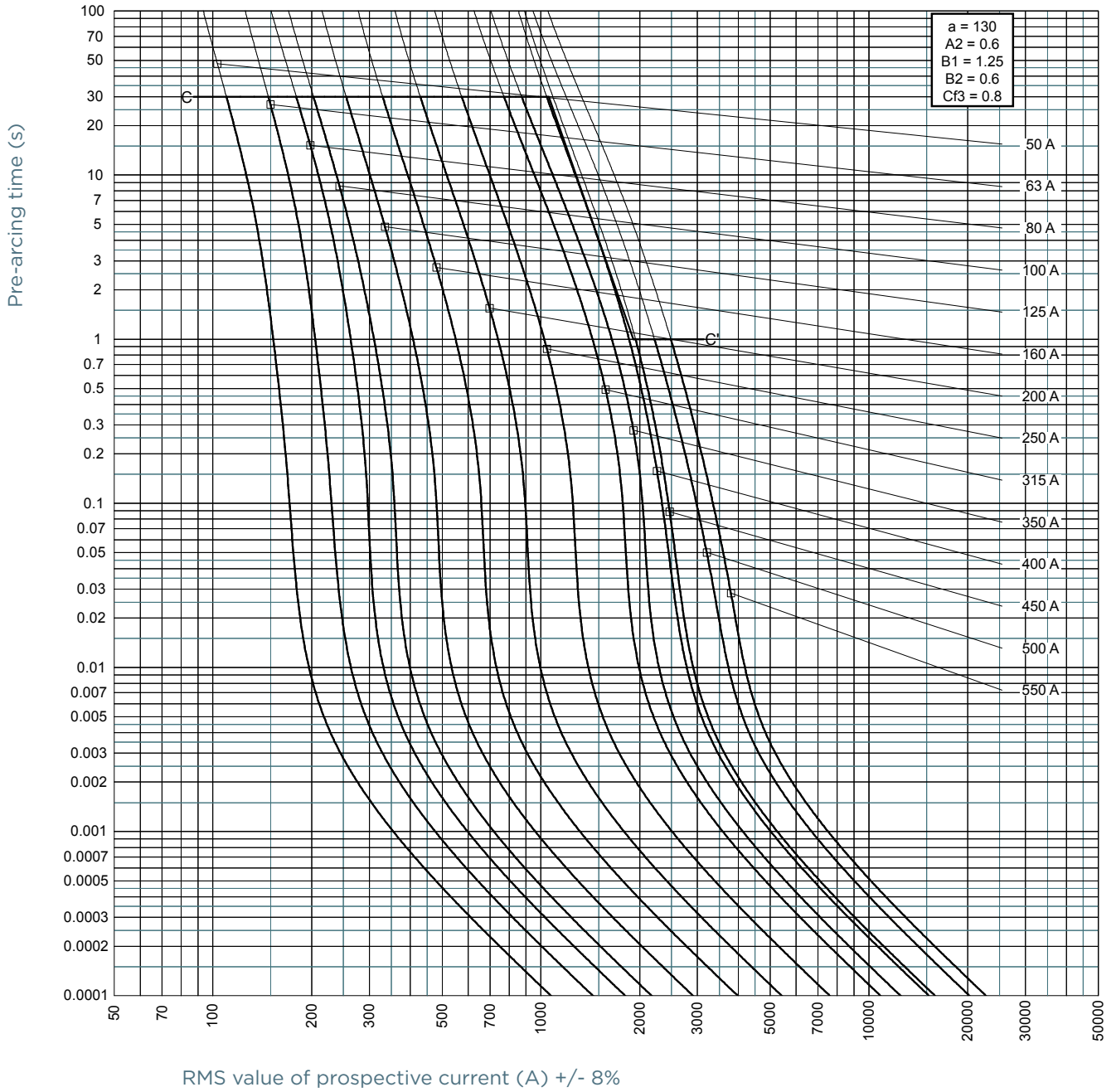
TIME CURRENT CHARACTERISTIC CURVES

Size 30 600V



TIME CURRENT CHARACTERISTIC CURVES

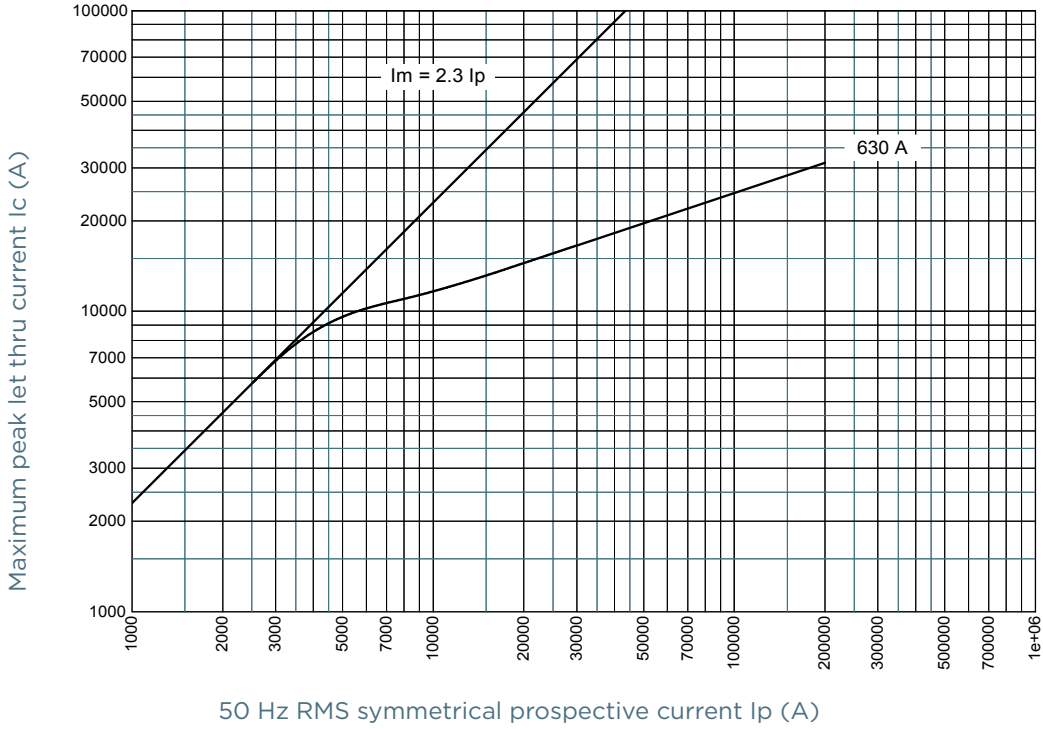
Size 30 690V



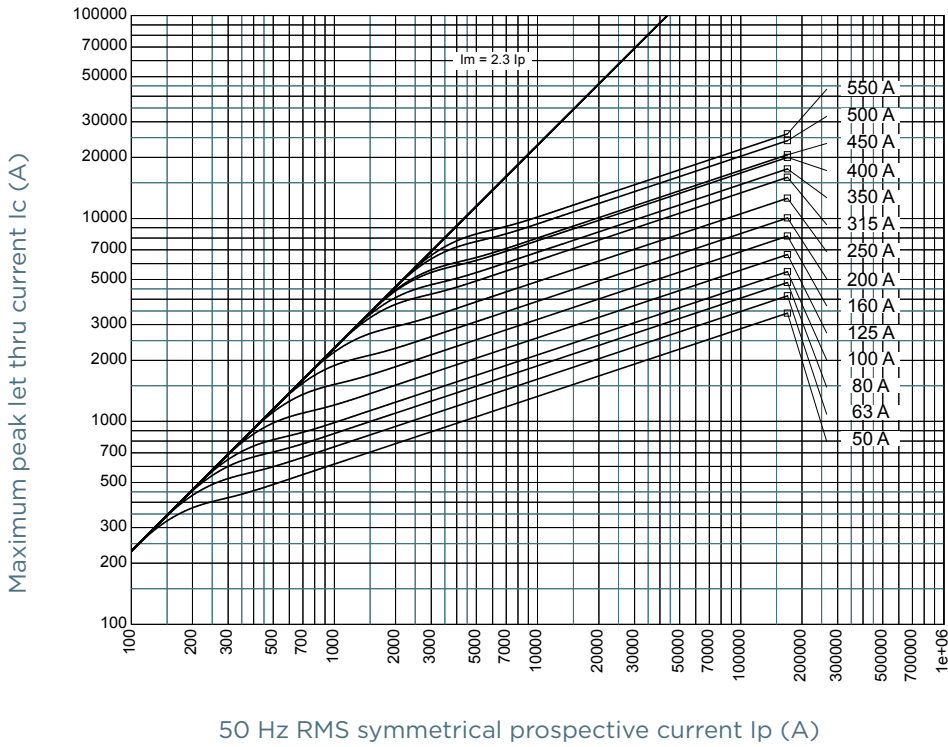
MERSEN reserves the right to change, update or correct, without notice, any information contained in this datasheet.

CUT-OFF CURRENT CHARACTERISTIC

Size 30 600V



Size 30 690V

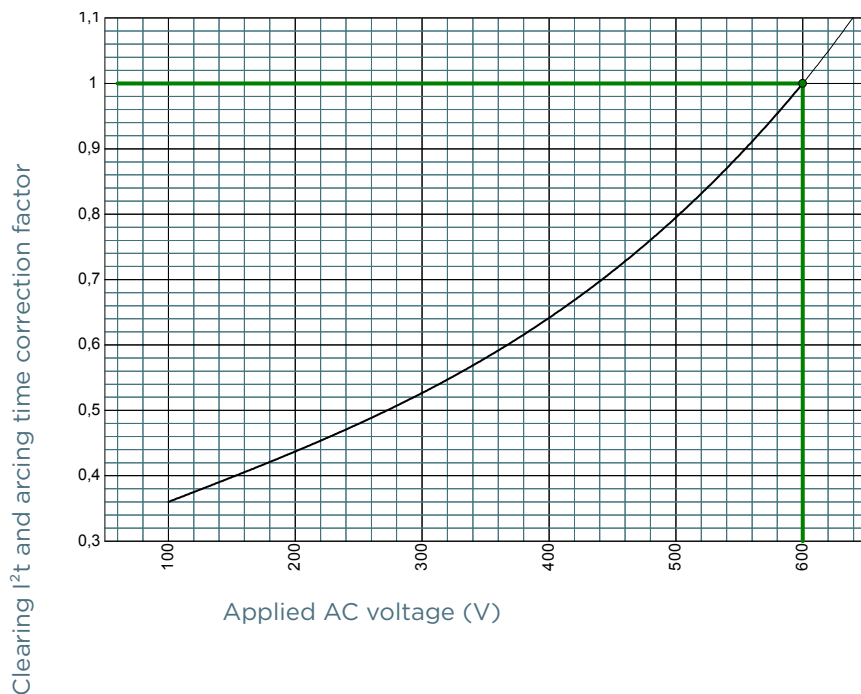


Protistor® size 30 aR

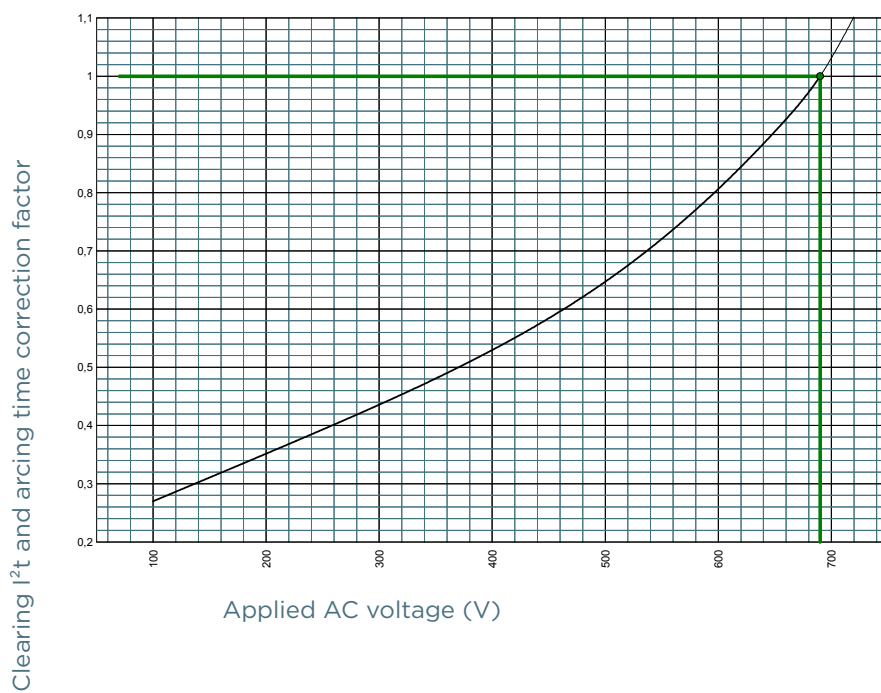
600 - 690VAC (IEC) / 700VAC (UL)

I²T MULTIPLIER COEFFICIENT

Size 30 600V



Size 30 690V

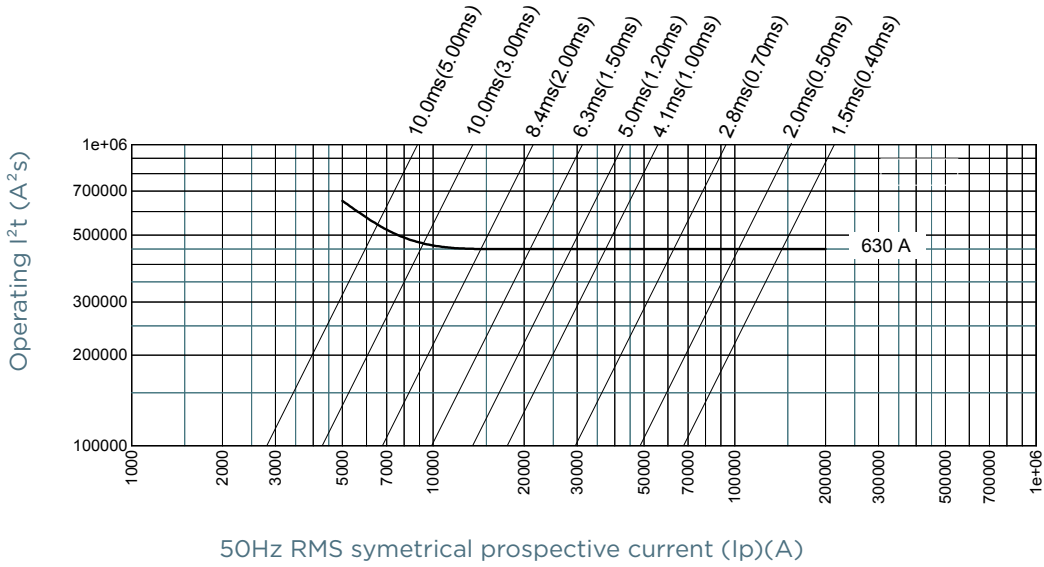


Protistor® size 30 aR

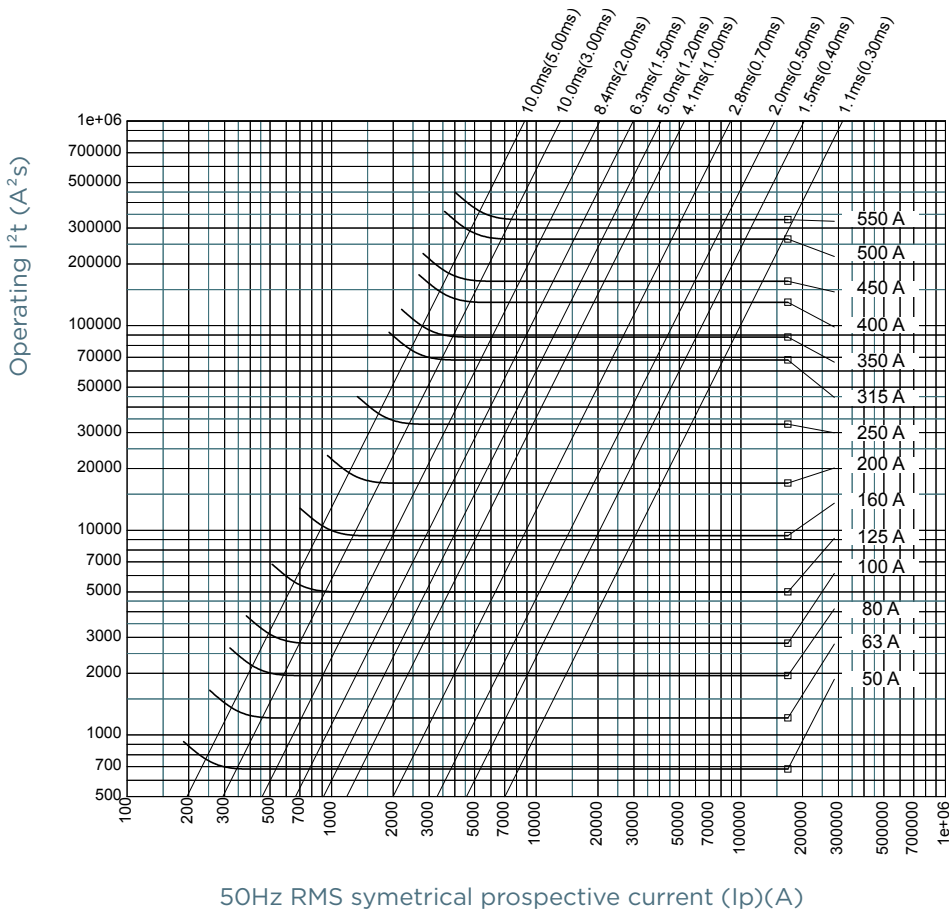
600 - 690VAC (IEC) / 700VAC (UL)

CHARACTERISTICS TOTAL I²T CURVE

Size 30 600V



Size 30 690V



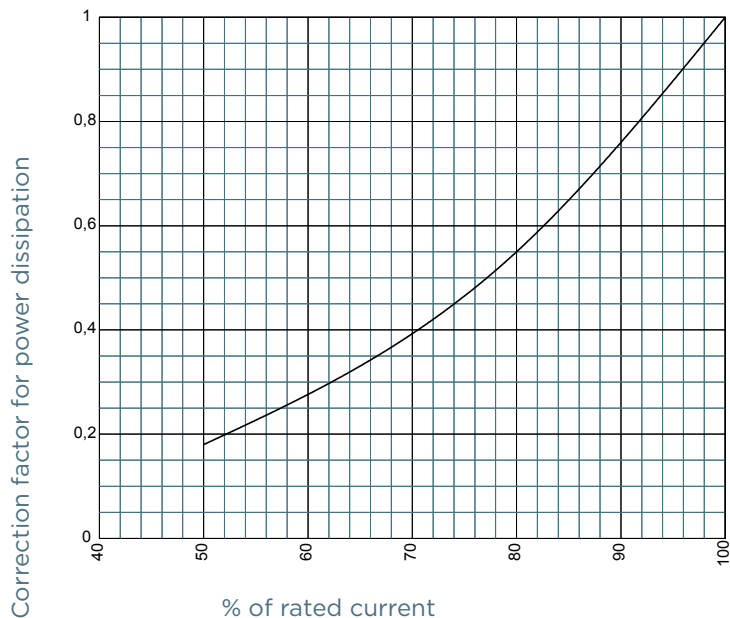
MERSEN reserves the right to change, update or correct, without notice, any information contained in this datasheet.

Protistor® size 30 aR

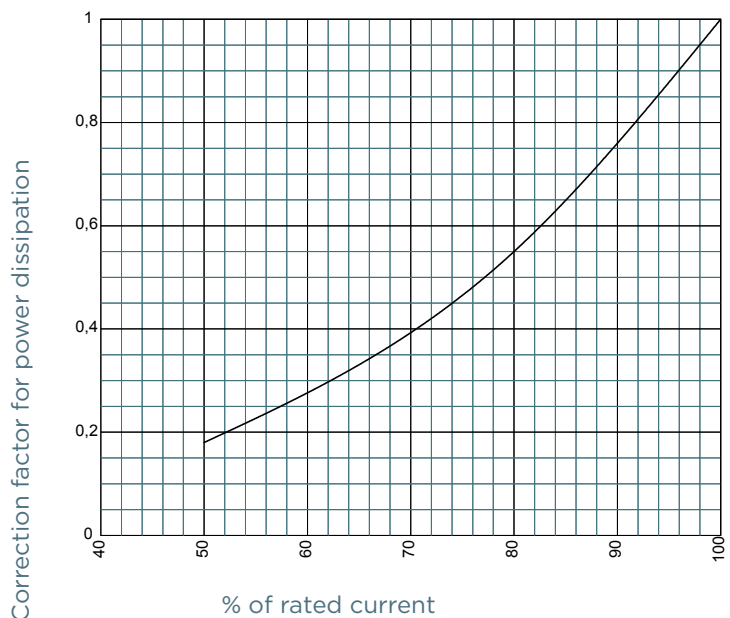
600 - 690VAC (IEC) / 700VAC (UL)

POWER DISSIPATION

Size 30 600V

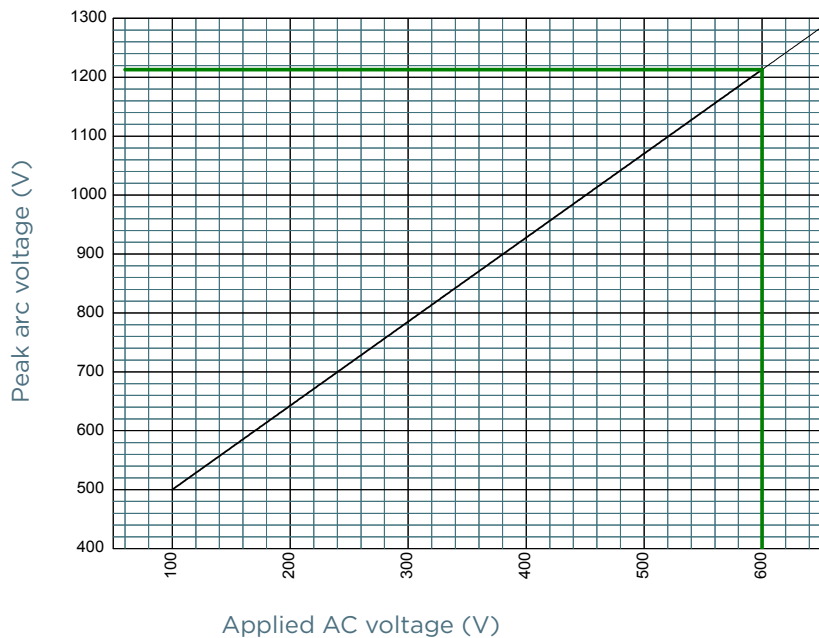


Size 30 690V

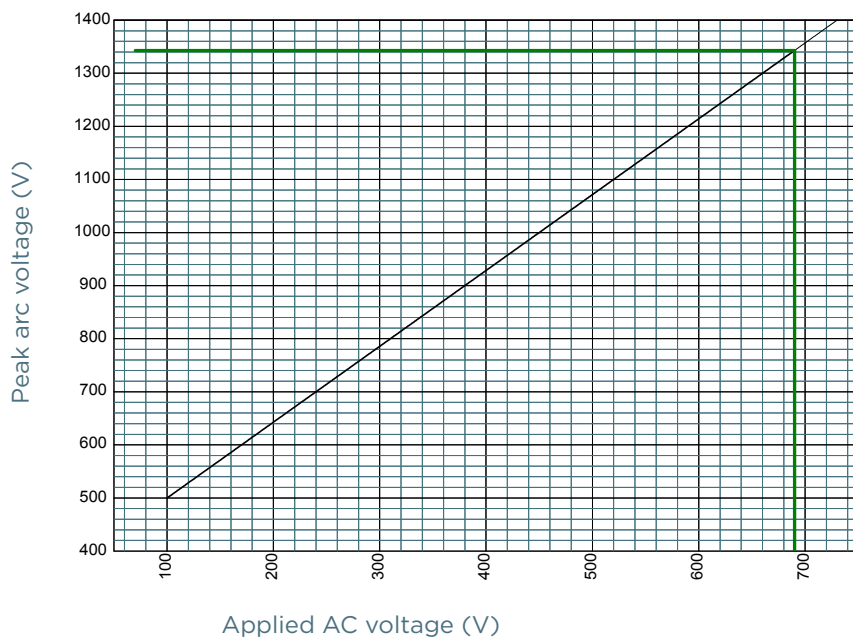


PEAK ARC VOLTAGE

Size 30 600V



Size 30 690V

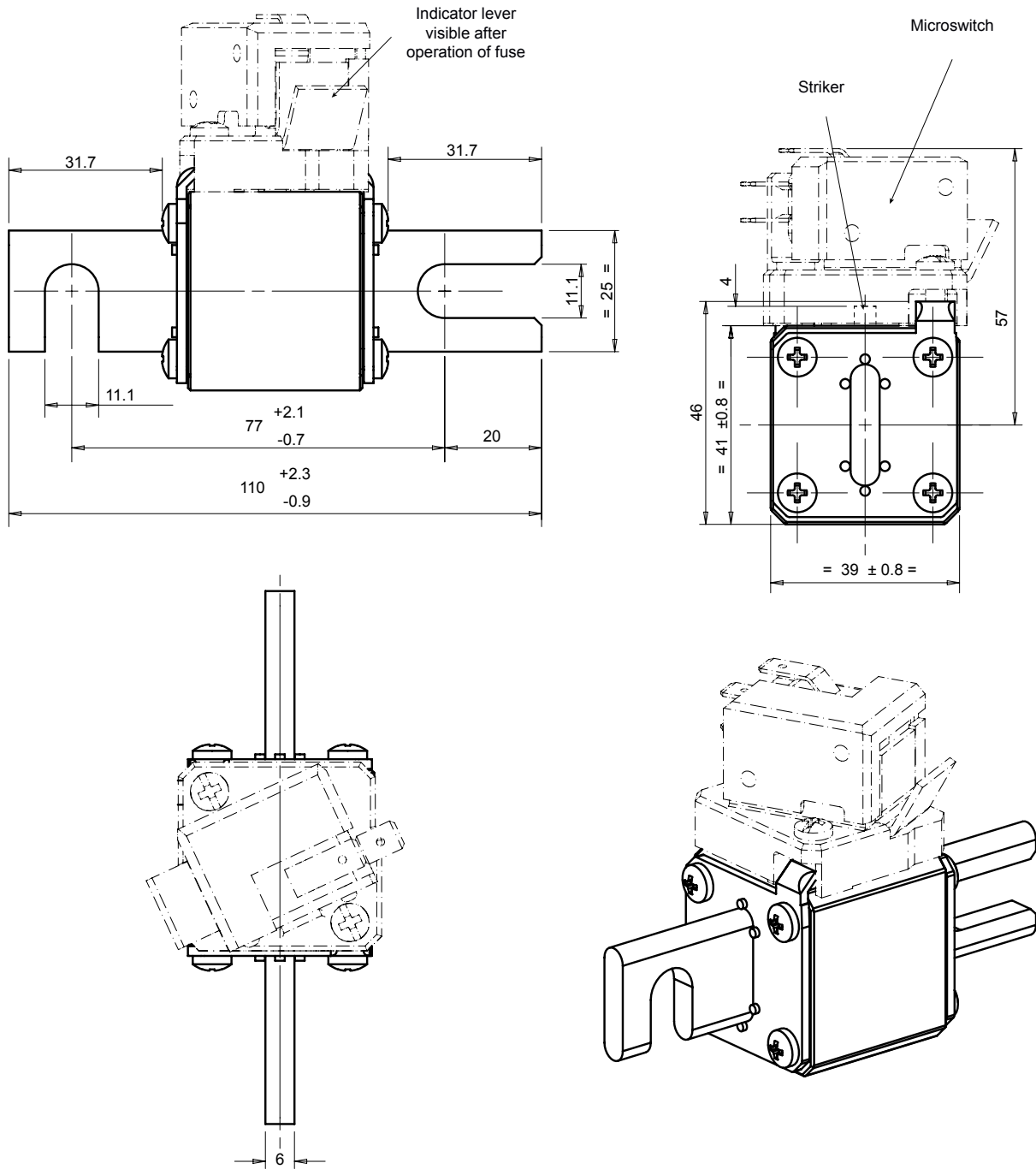


Protistor® size 30 aR

600 - 690VAC (IEC) / 700VAC (UL)

DIMENSIONS

Size 30 type DIN 80 (102936)



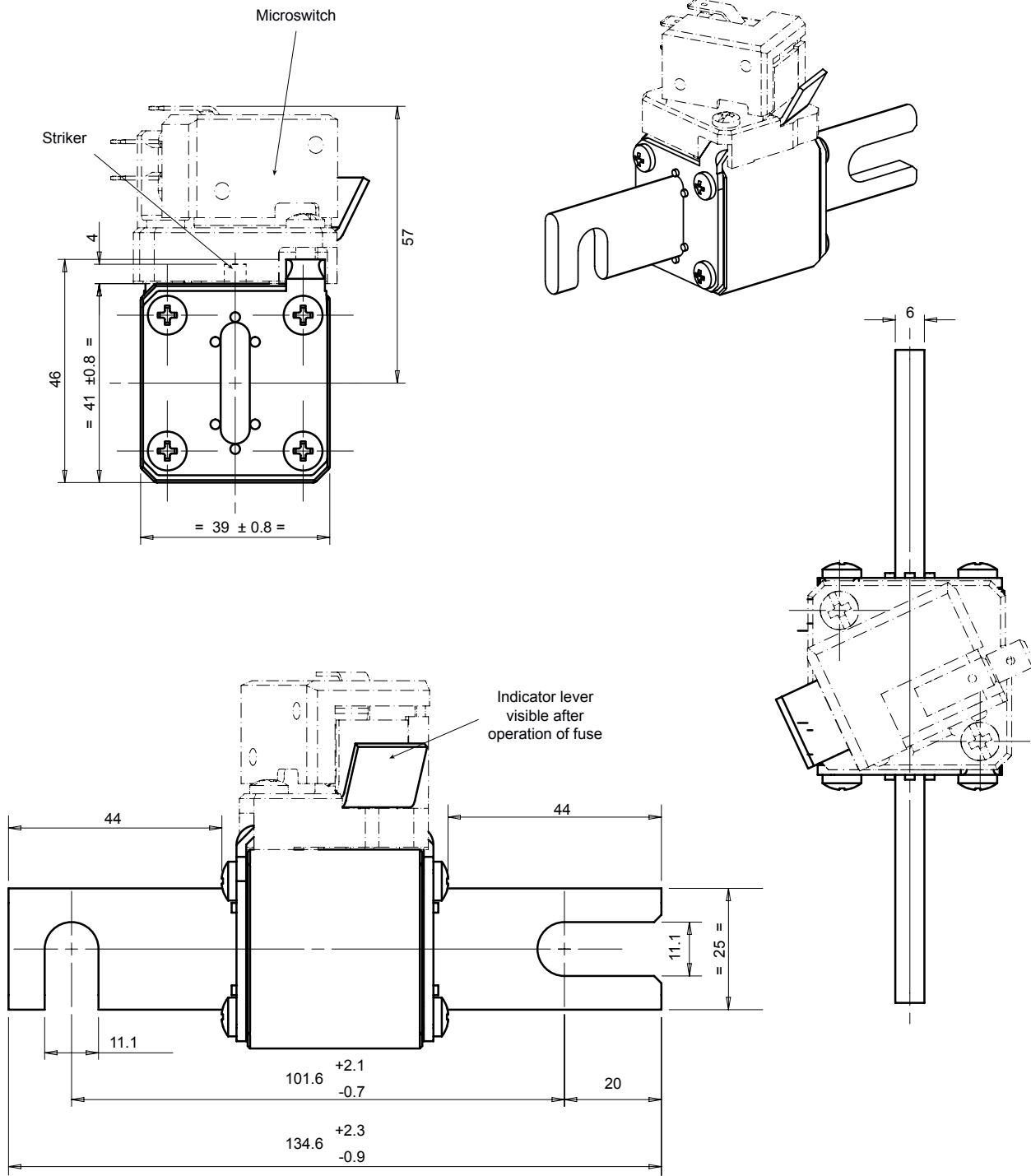
Dimensions in mm

Protistor® size 30 aR

600 - 690VAC (IEC) / 700VAC (UL)

DIMENSIONS

Size 30 type DIN 110 (102937)



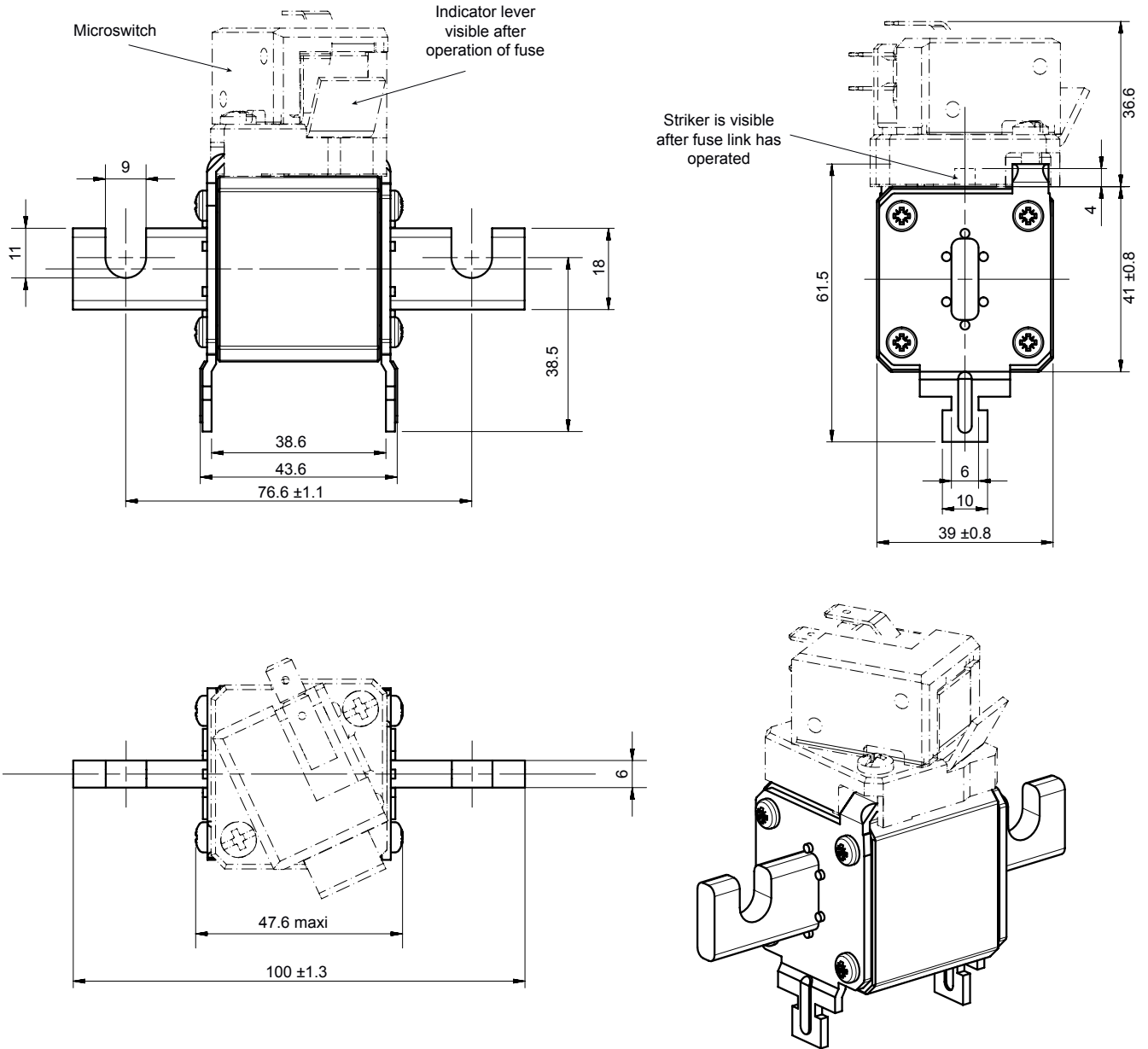
Dimensions in mm

Protistor® size 30 aR

600 - 690VAC (IEC) / 700VAC (UL)

DIMENSIONS

Size 30 type EF (102935)



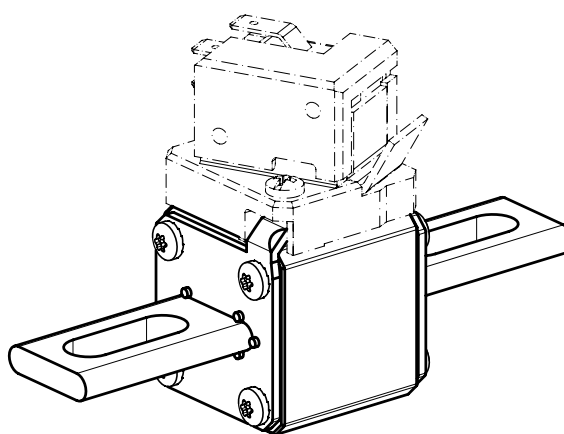
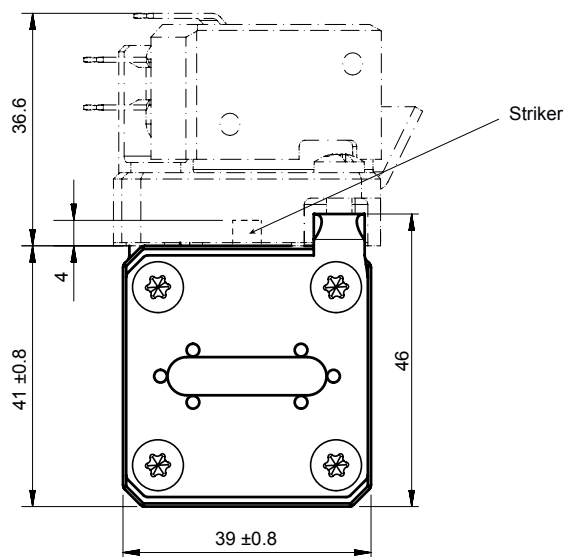
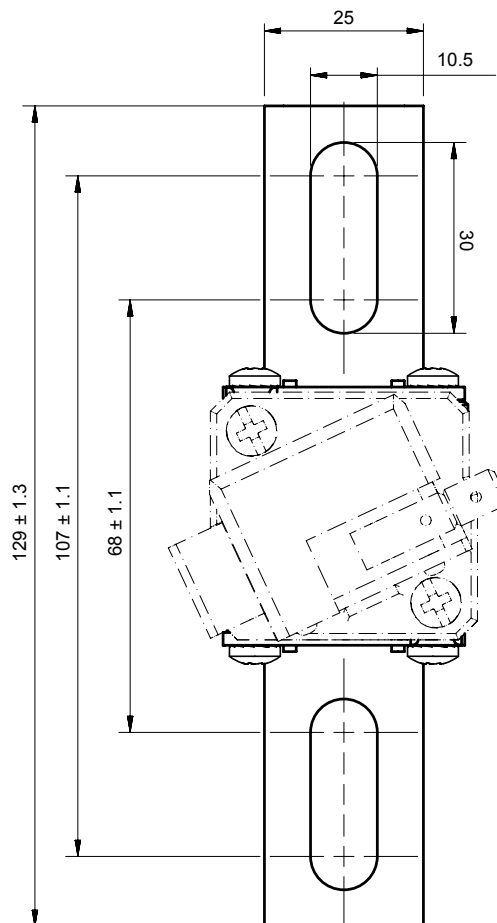
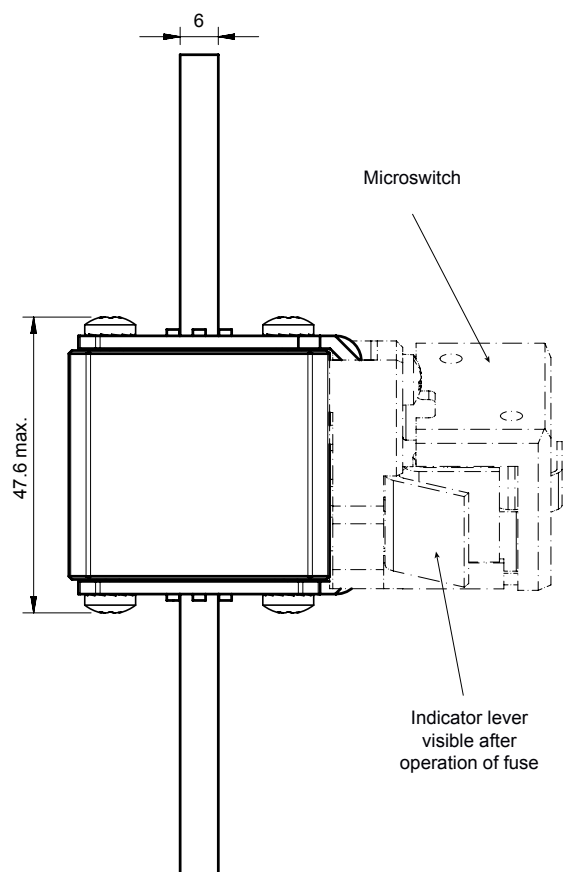
Dimensions in mm

Protistor® size 30 aR

600 - 690VAC (IEC) / 700VAC (UL)

DIMENSIONS

Size 30 type KI (102934)



Dimensions in mm

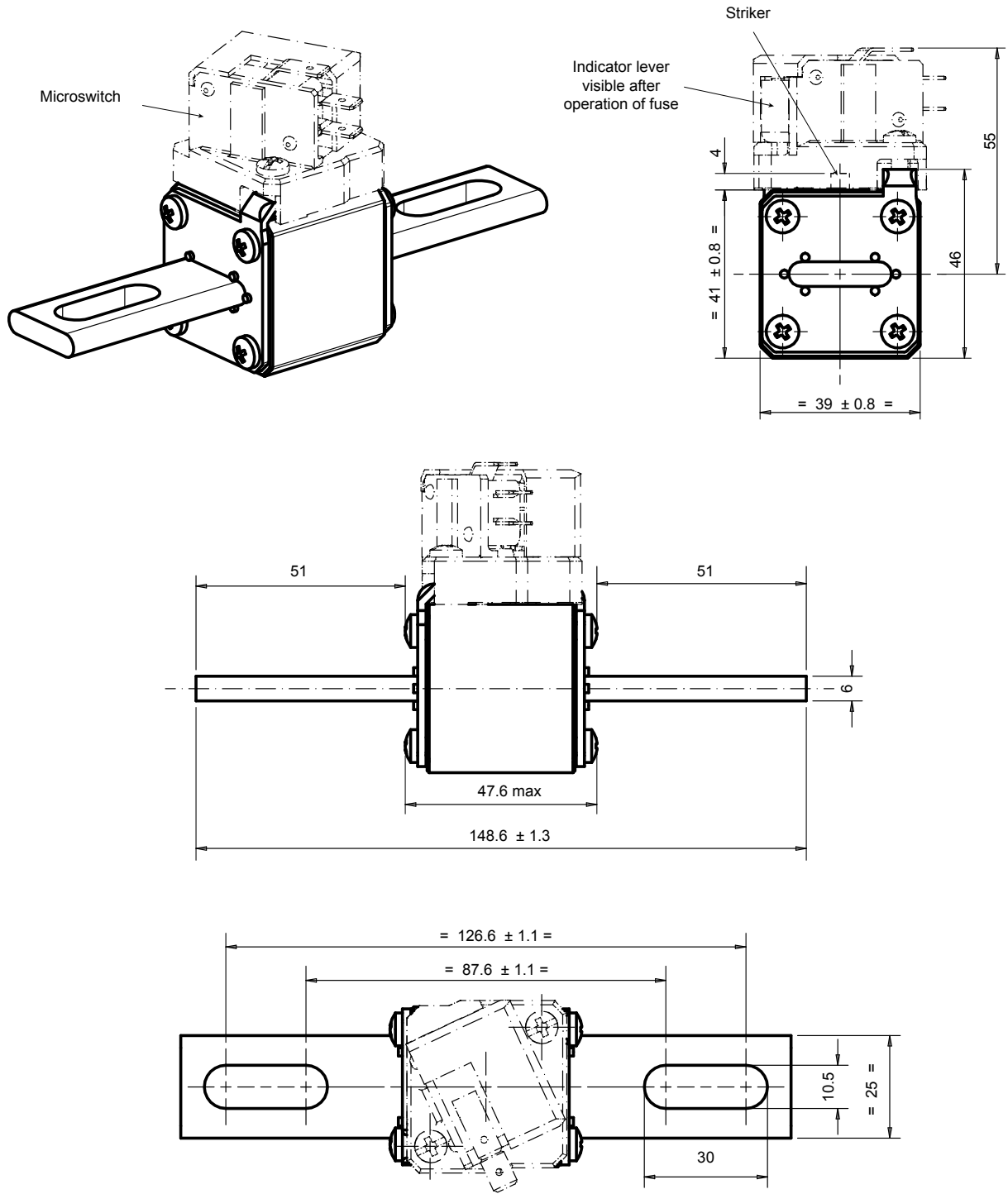
MERSEN reserves the right to change, update or correct, without notice, any information contained in this datasheet.

Protistor® size 30 aR

600 - 690VAC (IEC) / 700VAC (UL)

DIMENSIONS

Size 30 type LI (102933)



Dimensions in mm

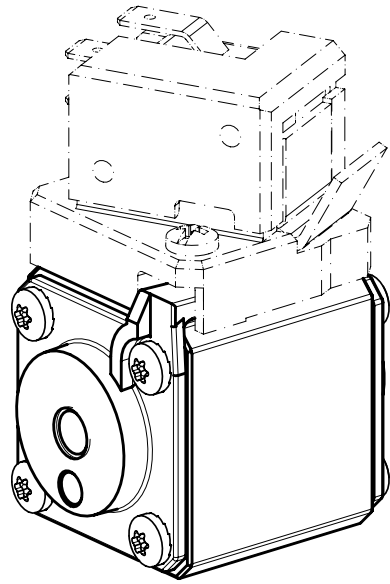
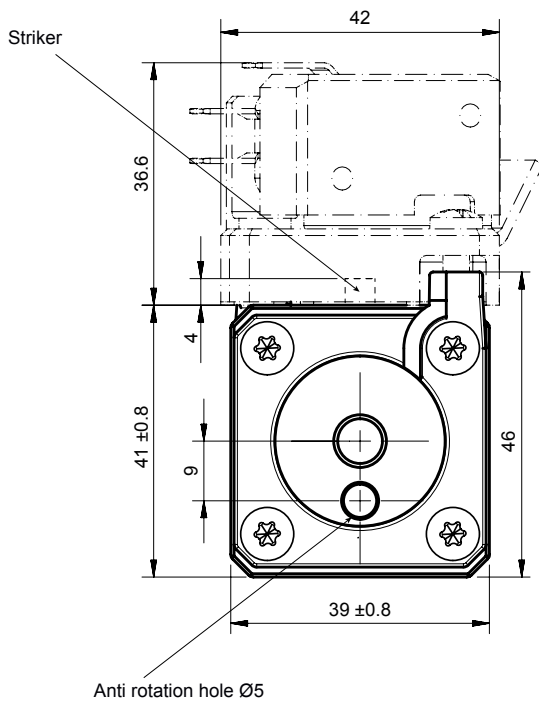
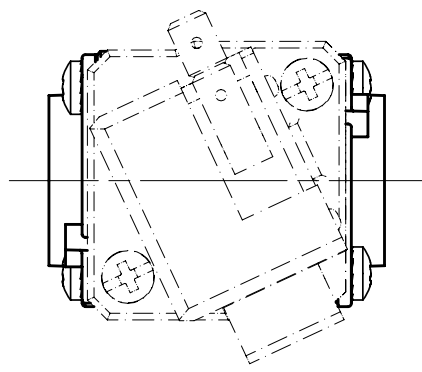
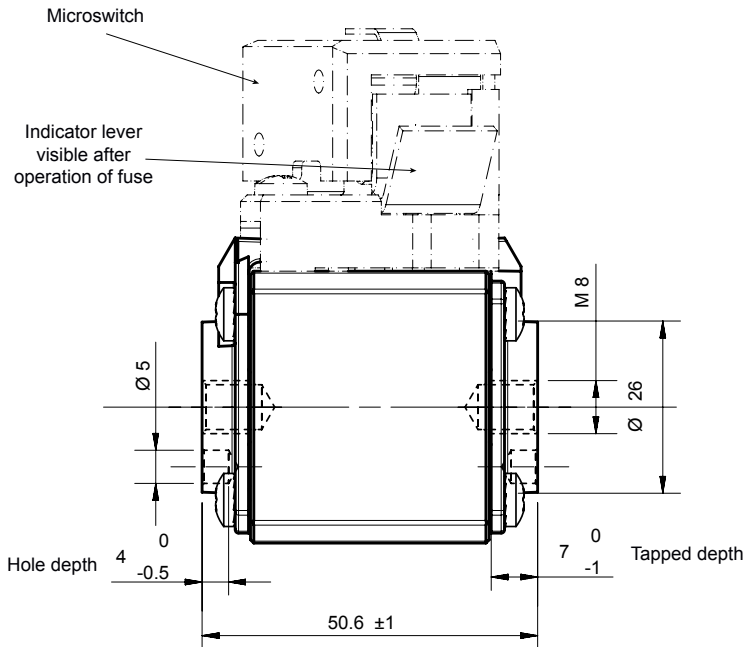
MERSEN reserves the right to change, update or correct, without notice, any information contained in this datasheet.

Protistor® size 30 aR

600 - 690VAC (IEC) / 700VAC (UL)

DIMENSIONS

Size 30 type TTF (102920)



Dimensions in mm

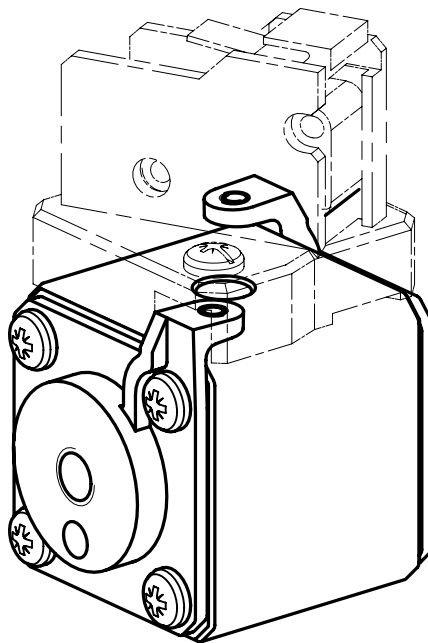
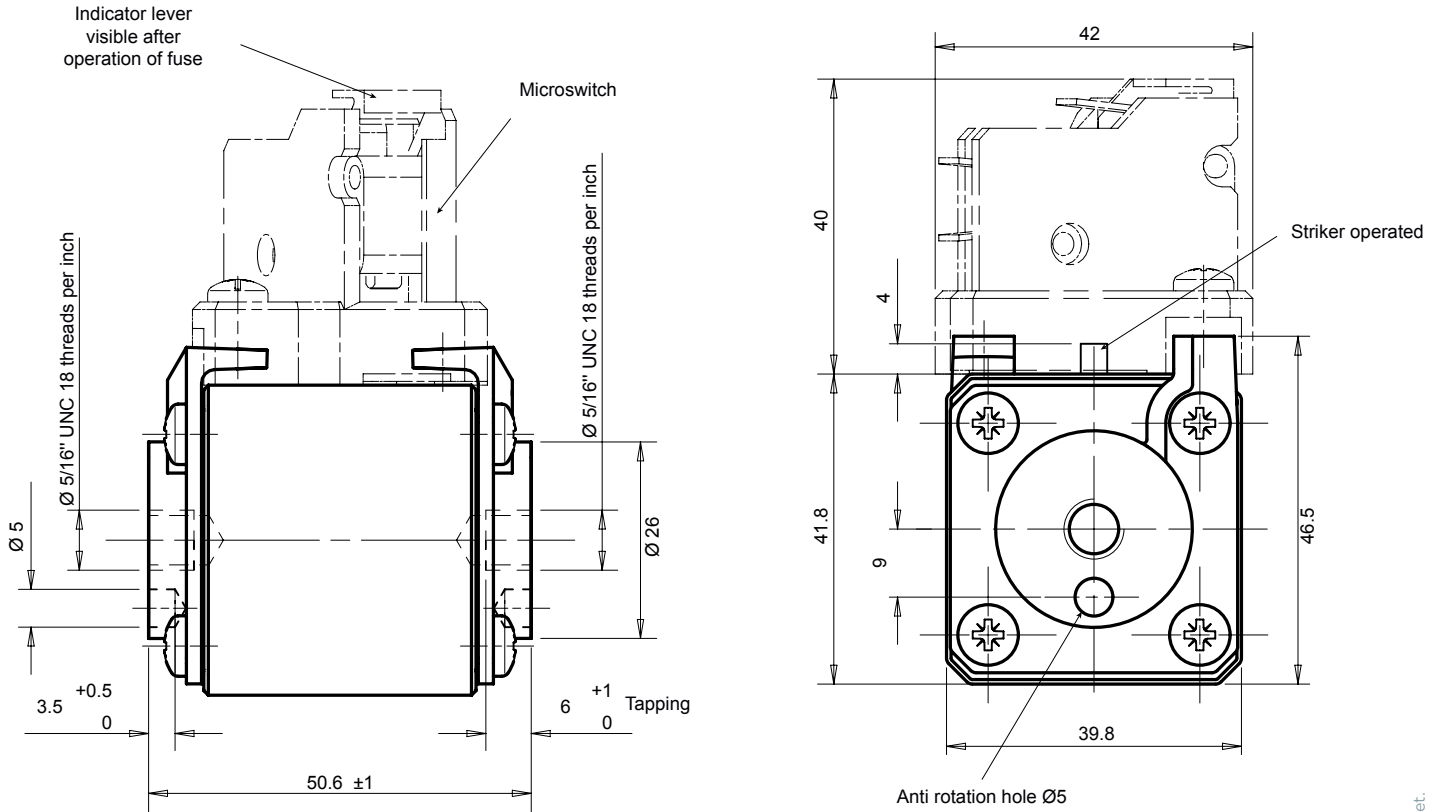
MERSEN reserves the right to change, update or correct, without notice, any information contained in this datasheet.

Protistor® size 30 aR

600 - 690VAC (IEC) / 700VAC (UL)

DIMENSIONS

Size 30 type TTI (107300)



Dimensions in mm

MERSEN reserves the right to change, update or correct, without notice, any information contained in this datasheet.

Protistor® size 30 aR

600 - 690VAC (IEC) / 700VAC (UL)

APPENDIX

Index

Catalog number	Item number	Description 1	Page
PC30UD69V50TF	S300373	6,9URD30TTF0050	2
PC30UD69V63TF	M300000	69URD30TTF0063	2
PC30UD69V80TF	S300051	69URD30TTF0080	2
PC30UD69V100TF	T300052	69URD30TTF0100	2
PC30UD69V125TF	V300053	69URD30TTF0125	2
PC30UD69V160TF	W300054	69URD30TTF0160	2
PC30UD69V200TF	X300055	69URD30TTF0200	2
PC30UD69V250TF	Y300056	69URD30TTF0250	2
PC30UD69V315TF	Z300057	69URD30TTF0315	2
PC30UD69V350TF	A300058	69URD30TTF0350	2
PC30UD69V400TF	B300059	69URD30TTF0400	2
PC30UD69V450TF	V300398	69URD30TTF0450	2
PC30UD69V500TF	W300399	69URD30TTF0500	2
PC30UD69V550TF	X300400	69URD30TTF0550	2
PC30UD60V630TF	L301770	6 URD 30 TT F 0630	2
A070UD30TTI50	V302744	A 070 URD 30 TTI 0050	2
A070UD30TTI63	A301967	A 070 URD 30 TTI 0063	2
A070UD30TTI80	V301962	A 070 URD 30 TTI 0080	2
A070UD30TTI100	W300744	A 070 URD 30 TTI 0100	2
A070UD30TTI125	G300708	A 070 URD 30 TTI 0125	2
A070UD30TTI160	N300576	A 070 URD 30 TTI 0160	2
A070UD30TTI200	P300577	A 070 URD 30 TTI 0200	2
A070UD30TTI250	Q300578	A 070 URD 30 TTI 0250	2
A070UD30TTI315	R300579	A 070 URD 30 TTI 0315	2
A070UD30TTI350	S300580	A 070 URD 30 TTI 0350	2
A070UD30TTI400	T300581	A 070 URD 30 TTI 0400	2
A070UD30TTI450	V300582	A 070 URD 30 TTI 0450	2
A070UD30TTI500	W300583	A 070 URD 30 TTI 0500	2
A070UD30TTI550	X300584	A 070 URD 30 TTI 0550	2
A065UD30TTI630	A302703	A 065 URD 30 TTI 0630	2
PC30UD69V50A	F301926	6,9 URD 30 D08 A 0050	3
PC30UD69V63A	E300108	69URD30D08A0063	3
PC30UD69V80A	F300109	69URD30D08A0080	3
PC30UD69V100A	G300110	69URD30D08A0100	3
PC30UD69V125A	H300111	69URD30D08A0125	3
PC30UD69V160A	J300112	69URD30D08A0160	3
PC30UD69V200A	K300113	69URD30D08A0200	3
PC30UD69V250A	L300114	69URD30D08A0250	3
PC30UD69V315A	M300115	69URD30D08A0315	3
PC30UD69V350A	N300116	69URD30D08A0350	3
PC30UD69V400A	P300117	69URD30D08A0400	3
PC30UD69V450A	A300403	69URD30D08A0450	3
PC30UD69V500A	B300404	69URD30D08A0500	3
PC30UD69V550A	C300405	69URD30D08A0550	3
PC30UD69V50D1A	G301191	6,9URD30D11A0050	3
PC30UD69V63D1A	Q300118	69URD30D11A0063	3
PC30UD69V80D1A	R300119	69URD30D11A0080	3
PC30UD69V100D1A	S300120	69URD30D11A0100	3
PC30UD69V125D1A	T300121	69URD30D11A0125	3
PC30UD69V160D1A	V300122	69URD30D11A0160	3
PC30UD69V200D1A	W300123	69URD30D11A0200	3
PC30UD69V250D1A	X300124	69URD30D11A0250	3
PC30UD69V315D1A	Y300125	69URD30D11A0315	3
PC30UD69V350D1A	Z300126	69URD30D11A0350	3
PC30UD69V400D1A	A300127	69URD30D11A0400	3

MERSEN reserves the right to change, update or correct, without notice, any information contained in this datasheet.

Protistor® size 30 aR

600 - 690VAC (IEC) / 700VAC (UL)

Index

Catalog number	Item number	Description 1	Page
PC30UD69V450D1A	S300695	6,9 URD 30 D11 A 0450	3
PC30UD69V500D1A	Y301091	69URD30D11A0500	3
PC30UD69V550D1A	Z301092	69URD30D11A0550	3
A070UD30KI50	E301925	A 070 URD 30 KI 0050	4
A070UD30KI630	B300128	A 070 URD 30 KI 0063	4
A070UD30KI80	C300129	A 070 URD 30 KI 0080	4
A070UD30KI100	D300130	A 070 URD 30 KI 0100	4
A070UD30KI125	E300131	A070URD30KI0125	4
A070UD30KI160	F300132	A070URD30KI0160	4
A070UD30KI200	G300133	A070URD30KI0200	4
A070UD30KI250	H300134	A070URD30KI0250	4
A070UD30KI315	J300135	A 070 URD 30 KI 0315	4
A070UD30KI350	K300136	A070URD30KI0350	4
A070UD30KI400	L300137	A 070 URD 30 KI 0400	4
A070UD30KI450	T301064	A 070 URD 30 KI 0450	4
A070UD30KI500	V301065	A070URD30KI0500	4
A070UD30KI550	W301066	A 070 URD 30 KI 0550	4
A070UD30LI50	A301921	A 070 URD 30 LI 0050	4
A070UD30LI63	M300138	A 070 URD 30 LI 0063	4
A070UD30LI80	N300139	A 070 URD 30 LI 0080	4
A070UD30LI100	P300140	A 070 URD 30 LI 0100	4
A070UD30LI125	Q300141	A 070 URD 30 LI 0125	4
A070UD30LI160	R300142	A 070 URD 30 LI 0160	4
A070UD30LI200	S300143	A 070 URD 30 LI 0200	4
A070UD30LI250	T300144	A070URD30LI0250	4
A070UD30LI315	V300145	A 070 URD 30 LI 0315	4
A070UD30LI350	W300146	A 070 URD 30 LI 0350	4
A070UD30LI400	X300147	A 070 URD 30 LI 0400	4
A070UD30LI450	K300527	A 070 URD 30 LI 0450	4
A070UD30LI500	L300528	A070URD30LI0500	4
A070UD30LI550	M300529	A 070 URD 30 LI 0550	4
PC30UD69V50EF	R300372	6,9 URD 30 E F 0050	4
PC30UD69V63EF	H300088	69URD30EF0063	4
PC30UD69V80EF	J300089	6,9 URD 30 E F 0080	4
PC30UD69V100EF	K300090	6,9URD30EF0100	4
PC30UD69V125EF	L300091	69URD30EF0125	4
PC30UD69V160EF	M300092	69URD30EF0160	4
PC30UD69V200EF	N300093	69URD30EF0200	4
PC30UD69V250EF	P300094	69URD30EF0250	4
PC30UD69V315EF	Q300095	6,9 URD 30 E F 0315	4
PC30UD69V350EF	R300096	6,9 URD 30 E F 0350	4
PC30UD69V400EF	S300097	6,9 URD 30 E F 0400	4

MERSEN reserves the right to change, update or correct, without notice, any information contained in this datasheet.